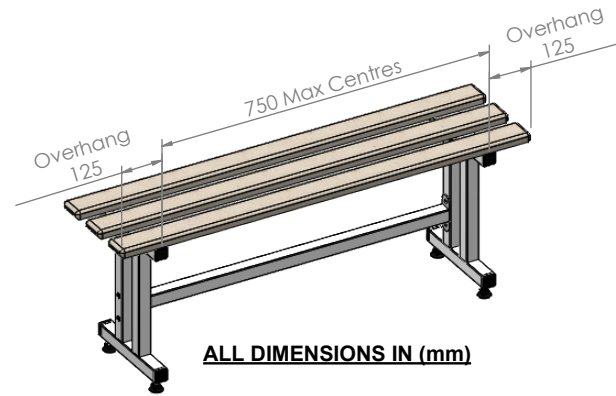
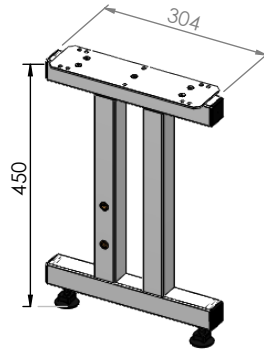


Leisureline Bench Seating Single Bench Frame

Product Code - BSF05

Kit Contents

- 1 Off - Single Bench Frame
- 2 Off - M10x60mm Anchor Bolts (Floor Fixings)
- 2 Off - M12 Washers
- 6 Off - No.8x3/4" A2 Pozi Pan Head Screws
- 4 Off - M6x25mm Coach Bolts
- 4 Off - M6 Nylock Nuts & Washers
- 2 Off - No.10 x 1 1/2" A2 Csk Pozi Screw
- 2 Off - Rawl Plug
- 2 Off - Fixing Down Brackets
- 4 Off - M10x20 Hex Head Bolt (Tie Bar Fixing)
- 4 Off - M10 Washer (Tie Bar Fixing)

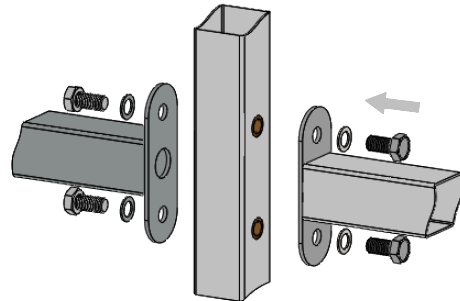
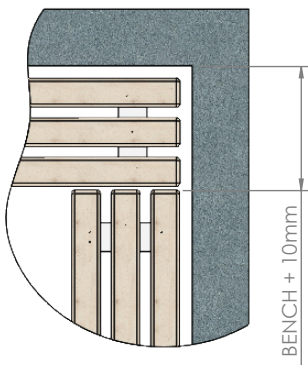


ALL DIMENSIONS IN (mm)

2.0 Lath Fixing



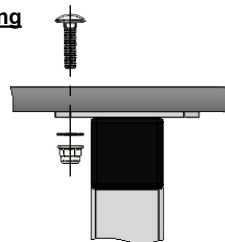
corner detail



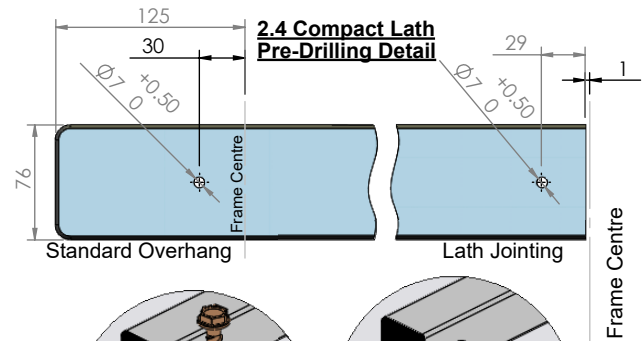
1.2 Tie Bar Fixing



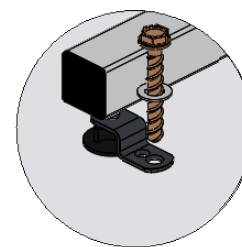
2.2 Lath Fixing (Hardwood)



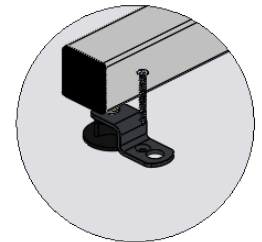
2.5 Lath Fixing (Compact)



2.4 Compact Lath Pre-Drilling Detail



3.1 Floor Fixing



3.6 Floor Fixing (Type 2)

Please refer to the Fixing Identification sheet and familiarise yourself with the fixings and descriptions used

1.0 Frame Assembly

- 1.1 Use the site layout drawing to decide upon the correct positions for each frame (take care not to exceed the maximum recommended centres shown above).
- 1.2 Attach the first frame to a tie bar as shown in sketch 1.2, using the 2 M10 Hex bolts and washers provided.
- 1.3 Attach the second frame to the opposite end of the tie bar.
- 1.4 Repeat the procedure adding tie bars and frames to create a run of frames if required.

2.0 Lath Fixing

- 2.1 The Laths require pre-cutting to length prior to fitting, this being determined by the frame centres i.e. a single 1m centre frame requires 1.25m laths (0.125m overlap). When a multiple run of frames is required the laths are jointed every 3rd frame (see sketch 2.0).
- 2.2 To secure a Hardwood Lath to the frame, position the lath centrally on the frames and with 125mm overlap as shown in sketch. Use the No.8 x 3/4" Screws to secure in position from the underside.
- 2.3 Repeat for the remaining laths working either side of the central lath.
- 2.4 Compact grade laths require pre-drilling before assembly to the frames (see sketch).
- 2.5 Secure to the frames using the 3 compact fixings (M6 Coach Bolts & Nyloc Nuts)
Note:- 4 compact lath fixings are supplied with each frame kit, Only 3 fixings are required per frame the fourth is to be combined with the extra fixing in the other frame kits and used wherever a joint is required.

3.0 Floor Fixing (Optional)

- 3.1 Ideally the floor mount should be fixed with the M10 anchor bolt or similar, however where this can not be achieved it may be fixed using a No.10 screw. The anchor bolts supplied are suitable for use on Brick, Stone & Concrete. It is the users responsibility to ensure the floor is suitable for this type of fixing otherwise alternative means must be used. (Caution - check for electric cables and pipes concealed in the floor prior to drilling).
- 3.1 Unscrew the adjustable feet from the frame base and attach the fixing down brackets to the frames.
- 3.2 Position the frame run in the desired location. Using the fixing brackets as a template mark the floor position for the anchor bolt through the larger of the 2 fixing holes.
- 3.3 Using a 10mm Masonry Drill Bit, drill the marked positions to a depth of 65mm. Clear any debris from the holes
- 3.4 Secure using the 2 Anchor Bolts & M12 Washers provided, tightening to a torque of 45N/m to ensure a secure fixing is achieved.
- 3.5 Repeat for remaining floor fixing brackets.
- 3.6 Where the optional screw type floor fixing is required. Use the floor Fixing bracket as a template, Mark the fixing hole position through the smaller of the 2 holes in the bracket. Using a 6.5mm masonry bit, drill to a depth of 50mm. Insert the Rawl Plug and secure using the No.10 Screw.